

产品特点

- 产品适用于薄膜、塑胶、印刷、纺织等行业；
- 防静电：离子棒不会对工作人员造成电击伤害；
- 多场景灵活应用；
- 安装简单：提供M5×20六角安装螺栓，放入棒体背部特制条形槽口，安装螺栓可移动，不同环境下都可简单安装。

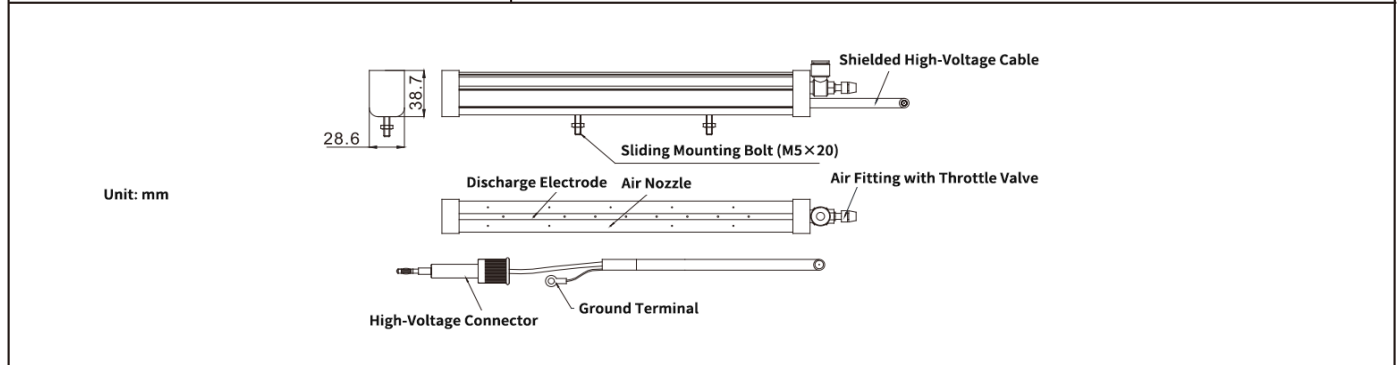


Product Features

- The products are applicable to film, plastic, printing, textile and other industries
- Anti-shock: the ion bar will not cause shock injury to the staff
- Flexible application in multiple environments
- Simple installation: equipped with M5×20 hexagonal mounting bolts, put them into a special groove on the back of the bar, the mounting bolts can be moved, and can be installed easily in different environments.

额定规格/性能 Ratings and Specifications

|   |  |
|---|--|
| 型号 Model                                      | SE-FQ600-L500  |
| 工作电压 Power supply voltage                     | 单根棒长 < 1m 或 两根棒长相加 < 1m: AC5600V<br>单根棒长 ≥ 1m 或 两根棒长相加 ≥ 1m: AC7000V |
| 功率 Power                                      | 20W  |
| 离子发射 Ion emission                             | 工频交流POWER frequency AC   |
| 发射电极 Emission electrode                       | SUS  |
| 放电结构 Discharge structure                      | 电阻耦合resistance coupling  |
| 消电范围 Discharge range                          | L*W*H (150mm→3000mm) *300mm*600mm                                    |
| 安装距离 Mounting distance                        | 100→600mm  |
| 离子平衡 Ionic balance                            | ≤ ±100V  |
| 消电速度 Discharge speed                          | ≤2.5S (工作距离working distance 300mm, 气流压力air pressure 0.3MPa)          |
| 气流压力 Air pressure                             | ≤0.6MPa  |
| 带节流阀 Throttle valve/气源接头 Air supply connector | Φ8-G1/8 灰白色  |
| 工作温度 Temperature                              | 0°C ~ 50°C   |
| 工作湿度 Humidity                                 | < 70%  |
| 外形尺寸 Dimension                                | L*W*H (150mm→3000mm) *28.6mm*38.7mm                                  |
| 棒体材质 Housing material                         | 阻燃flame-resistant PVC、SUS  |
| 高压连接线长度 Cable length                          | 2.5m (可按要求定制, 最长尺寸10m customized)                                    |



备注：使用离子棒时，应将其放置于被消除静电的工作区域内，（距被消静电物体表面约30~100mm处为佳）安装角度应垂直于带电体表面。

Note: When using the eliminator, it should be placed in the working area where the static electricity is being eliminated (it is better to be about 30~100mm away from the surface of the electrostatic object). The mounting Angle should be perpendicular to the surface of the charged body.